





**RACING COMPONENTS
MADE IN GERMANY**

KOEHN GmbH is a highly specialised bicycle parts manufacturer from Germany. Since 1995 we design, develop and manufacture the RESET Racing line of bike products.

Quality at the highest level is not an option but an absolute necessity to maintain our excellent reputation. That's why we choose our materials, components and manufacturing processes with the greatest possible care to ensure that our products exceed the demands placed on them in the field.

RESET Racing Components – Made in Germany

RESET Racing – KOEHN GmbH

Götttinger Chaussee 12–14 | 30453 Hannover | Germany

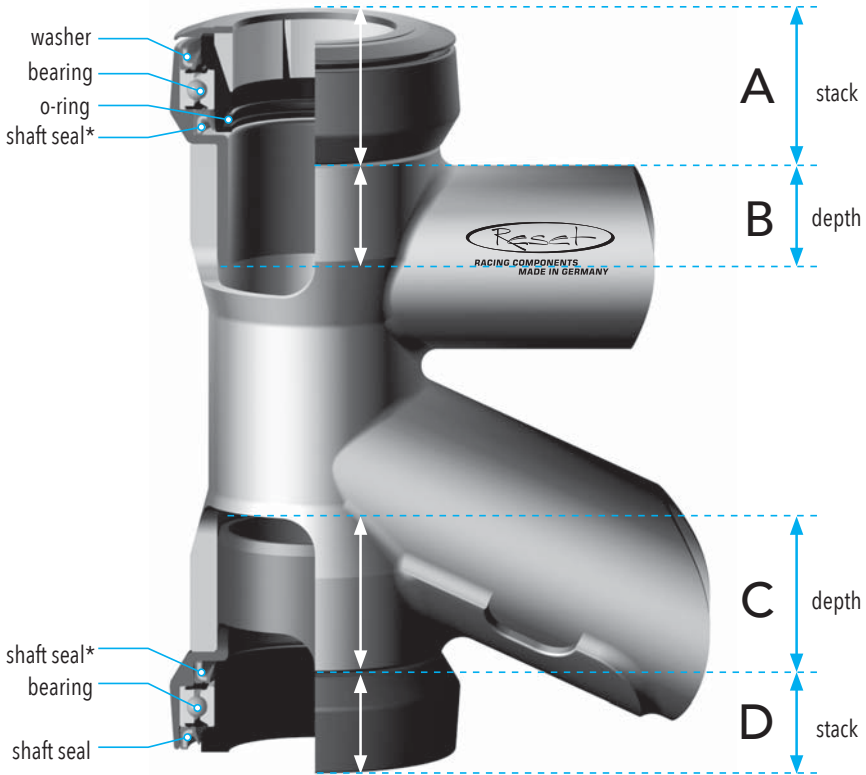
Phone: +49 511 473204-40 | Fax: +49 511 473204-49

E-Mail: info@reset-racing.de | Web: www.reset-racing.de

 @resetracing 



RESET Headsets



*depends on headset type

RESET headsets set standards in durability. With high precision parts from our own manufacturing facilities in Germany, long-lasting bearings and superb sealing systems, we offer the perfect bike-handling for every type of frame.

No matter whether you are looking for a standard headset, a custom-made model for a rare frame or in need of a headtube repair – RESET has got you covered.

RESET: innovation, technology and service “Made in Germany”.

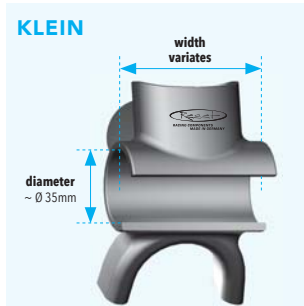
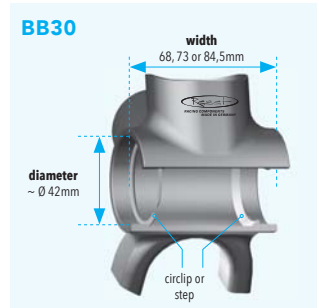
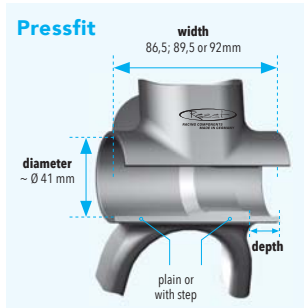
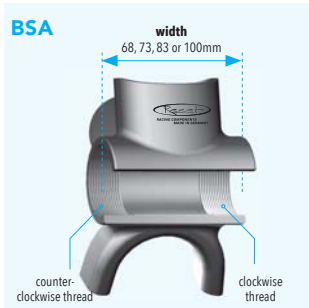
	118	Heavy duty 1 1/8" classic headset	EC34/28.6 EC34/30
	118LP	Classic 1 1/8" headset with low stack	EC34/28.6 EC34/30
	WAN.5	1 1/8" reducer headset for Onepointfive frames	ZS49/28.6 EC49/30
	150	Heavy-duty 1.5" headset for Onepointfive frames	EC49/38.1 EC49/40
	Flat44	Classic 1 1/8" headset for 44mm headtubes	EC44/28.6 EC44/30
	Flatstack44	Zero Stack 1 1/8" headset for 44mm headtubes	ZS44/28.6 ZS44/30
	Flatstack	Low stack modular headsets 1 1/8", 1 1/4", 1.5", tapered	EC44 ZS44 EC55 EC56 EC57
	Konan	Heavy duty modular headsets 1 1/8", 1.5", tapered	EC34 EC44 ZS49 EC49
	KLEIN	1 1/8" headset for KLEIN frames	
	Spacer	Ahead Spacer for 1 1/8" und 1.5" 5mm, 10mm, 15mm, 20mm	
	Top Cap Undercover	Ahead Caps for 1 1/8" und 1.5" Cover for RESET Headsets 1 1/8" and 1.5"	



RESET MTB Pedals are very popular in downhill and enduro racing, now we present Pedal4 that performs at an equally high level in other activities, such as touring, bike-packing, urban rides, single-speed and e-bikes.

Laser-cut stainless steel sheets and high-quality aluminium parts are used to assemble the body of the Pedal4 – without a single screw. All parts are mounted on the bearing carrier with precisely dimensioned tie rods and kept in place with hollow pins. The result is a lightweight, yet very strong cage. Your choice of a titanium or stainless-steel spindles completes the durable and timeless Pedal4, which is – as always at RESET – completely serviceable.

RESET Bottom Brackets



Cranksets	
HT2	drive ø 24mm, nondrive ø 24mm
GXP	drive ø 24mm, nondrive ø 22mm
BB30	drive ø 30mm, nondrive ø 30mm

RESET bottom brackets are available in many different variations, which gives you freedom to ride the drivetrain of your choice. Whether you want to customize your ride with special accessories or need a bottom bracket for a rare vintage bike, our detailed documentation will help you find the right part for your frame and your crank set. Even when you have a defective bottom bracket shell, RESET has a solution for you. Just ask for our renowned repair service.

RESET components are "Made in Germany" and our products are designed for maximum durability. In case you need a spare part anyway, just contact our after-sales service, who will get you back on track.



Hollowlite

HTII-BB

BSA threads
MTB & Road



GXPlite

GXP (Sram)-BB

BSA threads
MTB & Road



BB24

HTII-BB

for BB30 (42mm) BB shells
MTB & Road



X-Press

HTII-BB

for Pressfit (41mm) shells
MTB & Road



X-Press GXP

GXP (Sram)-BB

for Pressfit (41mm) shells
MTB & Road



PF24

HTII-BB

for PF30 (46mm) shells
MTB & Road



PF30

BB30

for PF30 (46mm) shells
MTB & Road



Service-Kits

for RESET BBs

- GXPlite/X-Press GXP
- Hollowlite/X-Press/BB24/PF24
- PF30



Centerbolt

crankset bolt

for HTII, M15 x 1 & M20 x 1



Spacer

BB-Spacer

- HollowLite, GXPlite + KLEIN (1, 2,5 & 3,5mm)
- X-Press (2,5mm)
- BB24/PF24 (1 & 2,5mm)
- PF30 (2,5mm)

RESET Tools

<http://reset-racing.de/reset/werkzeug-zubehoer/>



Yo-Gurt

Clever designed strap for fixing the handlebar and frontwheel during repair and transport



Bush-Tool
President-Tool

Plain bearing tool for shocks with 12,0mm or 12,7mm bushings



Air Port PRO

Adaptor with lockout for accurate air pressure in shocks and suspension forks – the choice of the professionals



Air Port EVO

Adaptor with lockout for accurate air pressure in shocks and suspension forks



Air Port micro

Adaptor with lockout for accurate air pressure in shocks and suspension forks – straight version



Parts Spa

Cleaning tub made of stainless steel for easy cleaning of bearings and small parts – available in two sizes



Extractor

Slide hammer to remove bearings, headset- and BB-cups



Protector

Tool for accurate Headset- and BB-Cup installation



Presswerk

Bearing press for small bearings (up to ca. 30mm OD) many adaptors available. Custom adaptors on request